

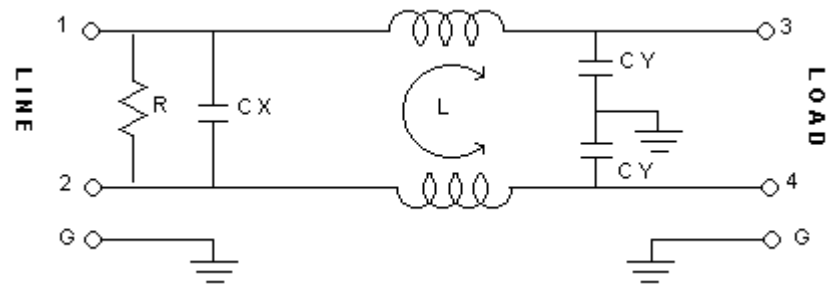
## 規格

項目 / 型號		YE05T1/YE05T4	YE10T1/YE10T4	YE15T1/YE15T4	YE20T1/YE20T4	YE30T4
額定電壓		125/250V AC	125/250V AC	125/250V AC	125/250V AC	125/250V AC
額定電流		5A	10A	15A	20A	30A
洩漏電流		0.8mA MAX 250V,50HZ	0.8mA MAX 250V,50HZ	0.8mA MAX 250V,50HZ	0.8mA MAX 250V,50HZ	0.8mA MAX 250V,50HZ
耐電壓	線對線	1450V DC	1450V DC	1450V DC	1450V DC	1450V DC
	線對地	2250V DC	2250V DC	2250V DC	2250V DC	2250V DC
絕緣阻抗		100M ohm MIN 250VDC	100M ohm MIN 250VDC	100M ohm MIN 250VDC	100M ohm MIN 250VDC	100M ohm MIN 250VDC
直流阻抗		0.5 ohm MAX	0.2 ohm MAX	0.15 ohm MAX	0.1 ohm MAX	0.01 ohm MAX
溫度上升		30C MAX	30C MAX	30C MAX	30C MAX	30C MAX
溫度使用範圍		-25 ~ +85C	-25 ~ +85C	-25 ~ +85C	-25 ~ +85C	-25 ~ +85C
CX		0.1uF	0.1uF	0.1uF	0.1uF	0.1uF
CY		3300pF	3300pF	3300pF	3300pF	3300pF
電阻		10M/ohm	10M/ohm	10M/ohm	10M/ohm	10M/ohm
電感值		5mH	3mH	2mH	0.9mH	0.5mH
衰減量	NORMAL MODE 25dbMIN	0.27 ~ 50MHZ	0.28 ~ 25MHZ	0.35 ~ 40MHZ	1.45 ~ 50MHZ	0.6 ~ 50MHZ
	COMMON MODE 25dbMIN	0.10 ~ 30MHZ	0.13 ~ 28MHZ	0.15 ~ 40MHZ	0.90 ~ 50MHZ	1.0 ~ 50MHZ

## 3. 衰減量

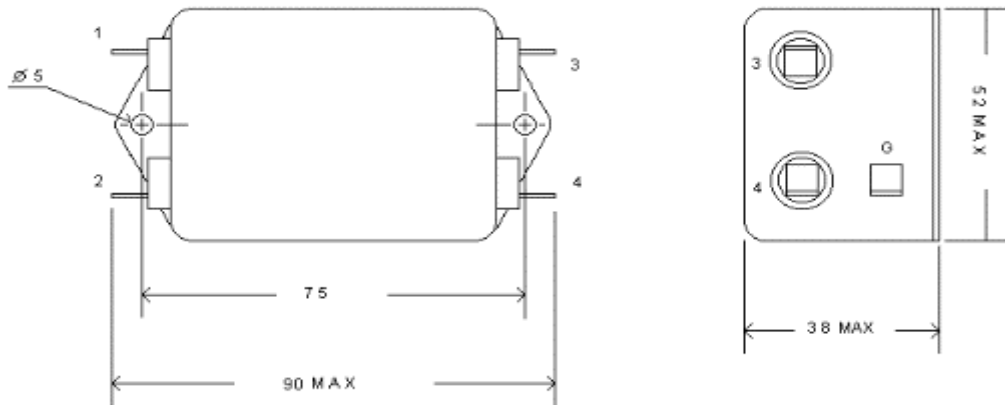
COMMON MODE (LINE TO GROUND) IN 50 OHM SYSTEM							
TYPE	CURRENT RATING	FREQUENCY-MHZ					
		0.15	0.5	1.0	5.0	10.0	30.0
YE05T1/YE05T4	5A	6	42	38	35	37	32
YE10T1/YE10T4	10A	28	42	37	34	34	35
YE15T1/YE15T4	15A	23	39	31	28	30	23
YE20T1/YE20T4	20A	14	22	24	31	34	28
DIFFERENTIAL MODE (LINE TO LINE) IN 50 OHM SYSTEM							
YE05T1/YE05T4	5A	30	40	33	29	31	27
YE10T1/YE10T4	10A	5	44	42	39	40	38
YE15T1/YE15T4	15A	9	39	37	33	36	27
YE20T1/YE20T4	20A	9	32	31	36	39	34

#### 4. 線路圖



#### 5. 尺寸圖

YE05T1~YE20T1



YE05T4~YE30T4

