

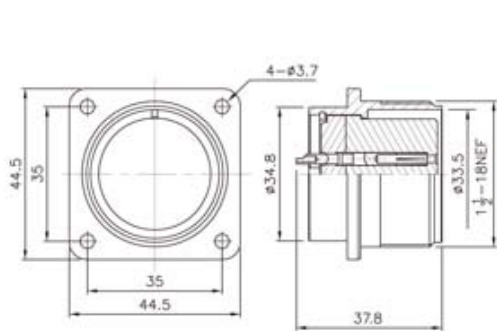


OUTPUT TYPE

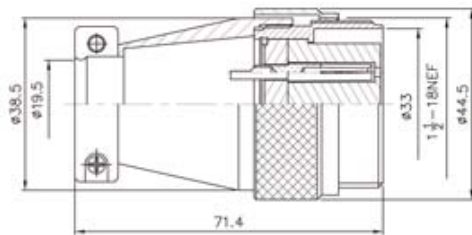
PLS Series - Output Type



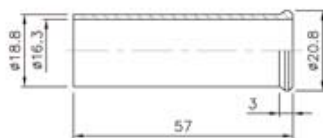
大豪电子
 电话: 0775-83233025
<http://www.szdahao.com>
<http://www.very-tec.com>



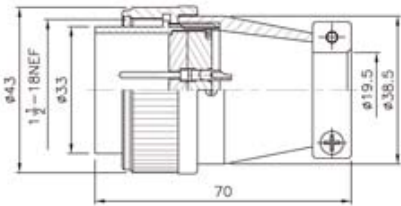
PLS-35-RF



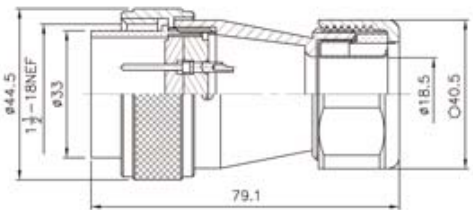
PLS-35-ADF



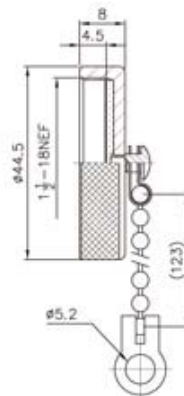
RUBBER TUBE :
 ACCESSORY FOR PLS-35-PM



PLS-35-PM



PLS-35-GPM3/4"



AMS25043-24A

◆ No. of contacts	24					
Contacts Configuration						
Rated current / voltage	8A 250V					
Operation limit voltage (AC.V.rms)	200					
Withstanding voltage (AC.V.rms) 1 minute	1000					
Insulation resistance (MΩ MIN.) at DC 500V	1000					
Contact resistance (MΩ MAX.) at DC 1A	3					
Solder inter diameter	1.8					