

SHELL
SIZE

16

PLK Series

Input Type

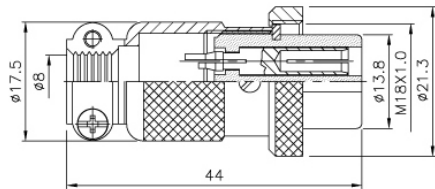
PLT[®]

SINCE 1978

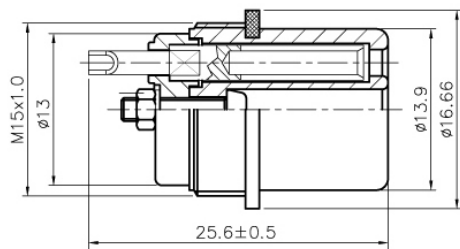
APEX CONNECTOR

C[®] TÜV

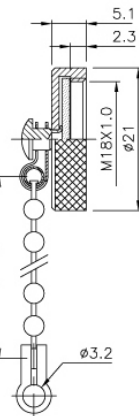
INPUT TYPE



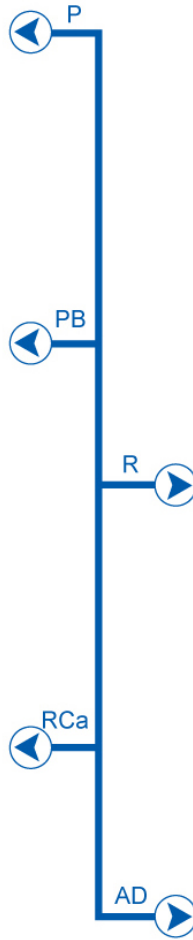
PLK-16-P



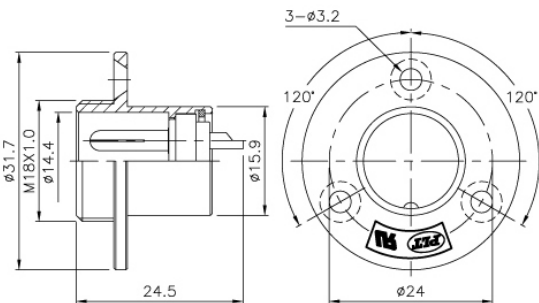
PLK-165-PB



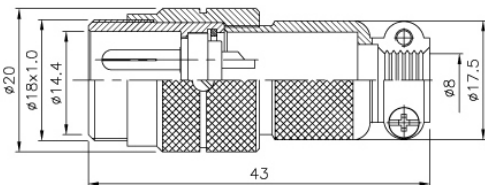
PLK-16-RCa



PLK- 16 Series



PLK-16-R



PLK-16-AD

大豪电子
电话:0775-83233025
<http://www.szdahao.com>
<http://www.very-tec.com>

◆ No. of contacts	2	3	4	5			
Contacts Configuration							
	TÜV	TÜV	TÜV	TÜV			
Rated current / voltage	5A 125V	5A 125V	5A 125V	5A 125V			
Operation limit voltage (AC.V.rms)	200	200	200	200			
Withstanding voltage (AC.V.rms) 1 minute	1000	1000	1000	1000			
Insulation resistance (MΩ MIN.) at DC 500V	1000	1000	1000	1000			
Contact resistance (mΩ MAX.) at DC 1A	3	3	3	3			
Solder inter diameter	1.5	1.5	1.5	1.3			